

# 電阻式溫度隔離傳送器

(RTD (Pt-100) ISOLATED TRANSMITTER)

MODEL  
TP



## ■特點(FEATURES)

- 精確度0.1%滿刻度 (Accuracy 0.1% F.S.)
- 多種輸入輸出選擇(Wide selection of input/output range)
- 三線式接線自動補償線路阻抗效應(3 wire configuration automatically compensate line resistance effects)
- 寬範圍交直流兩用電源設計(Wide input range for auxiliary power)
- 尺寸小、穩定性高(Dimension small and High stability)

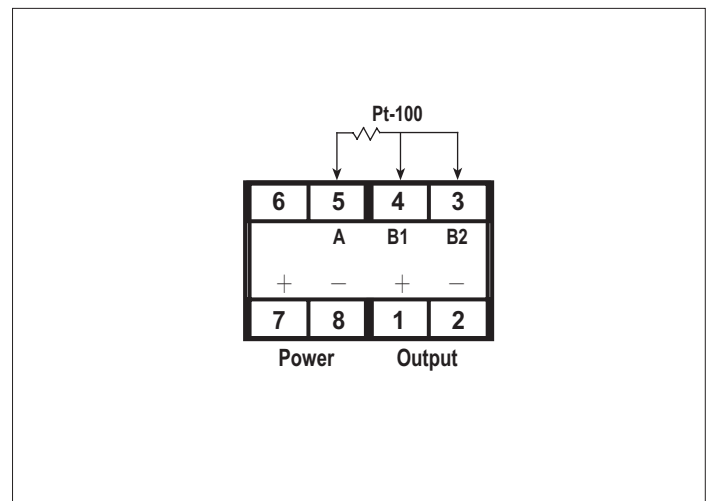
## 1. MODEL: TP-□ □ □ (選購型號)

| NO                             | Input Range | NO | Input Range | NO | Input Range   | NO | Output Range | NO | Output Range | NO | Output Range | NO                         | Aux. Power          |
|--------------------------------|-------------|----|-------------|----|---------------|----|--------------|----|--------------|----|--------------|----------------------------|---------------------|
| 1                              | 0~50°C      | 4  | 0~400°C     | 7  | -100°C~+100°C | A  | 0~50mV       | E  | 2~10V        | I  | 4~20mA       | A                          | AC/DC 18~60V        |
| 2                              | 0~100°C     | 5  | 0~800°C     | 9  | SPECIFIED     | B  | 0~1V         | F  | 0~1mA        | R  | SPECIFIED    | B                          | AC/DC 90~260V       |
| 3                              | 0~200°C     | 6  | -50°C~+50°C |    |               | C  | 1~5V         | G  | 0~10mA       |    |              | C                          | AC110V(50/60Hz)±20% |
|                                |             |    |             |    |               | D  | 0~10V        | H  | 0~20mA       |    |              | D                          | AC220V(50/60Hz)±20% |
| • DIN standard (TCR:385ppm/°C) |             |    |             |    |               |    |              |    |              |    |              | • Less 3VA for AC/DC input |                     |

## 2. SPECIFICATION (主要規格)

- Measuring accuracy : 0.1% F.S. (23±5°C)  
(精確度)
- Sensor exciting current : <2mA  
(感應器電流)
- Response time : <250ms (0~90%)  
(輸出反應時間)
- Output drive capability : <10mA for voltage mode  
<10V for current mode  
(輸出負載能力)
- Output ripple(p-p) : <0.1% F.S.  
(輸出漣波)
- Zero (offset) range : 0~±5% F.S.  
(歸零調整範圍)
- Span (scale) range : 0~±10% F.S.  
(最大值調整範圍)
- Temp. coefficient : 100ppm/°C (0~50°C)  
(溫度係數)
- Isolation : Input/Output/Power/Case  
(隔離特性)
- Insulation Resistance : >100M ohm with 500V DC  
(絕緣阻抗)
- Dielectric strength : 2KVac/1 min. (input/output/power)  
1600Vdc (input/output)  
(絕緣耐壓能力)
- Operating condition : 0~60°C (20 to 90% RH non-condensed)  
(使用環境條件)
- Storage condition : 0~70°C (20 to 90% RH non-condensed)  
(存放環境條件)
- Construction : Socket/plugin type with barrier terminals  
(安裝方式)
- CE EMC Certification : EN 55022:1998/A1:2000 Class A  
(CE 認證)  
EN 61000-3-2:2000  
EN 61000-3-3:1995/A1:2001  
EN 55024:1998/A1:2001

## 3. TERMINAL CONNECTION (接線圖)



## 4. DIMENSION (unit:mm) (外型尺寸)

