

# TWL SENSOR

本 TWL 扭力感測器結合公司顯示器、微型信號處理技術及無線信號傳輸技術而成之高精度一體式荷重元，係專為扭力量測所設計，中心具對心凸圓。使對心精確，感測結構並以密封方式保護，以達到最高之量測準確度，具藍芽傳輸。具有以下特點：

This TWL sensor combines with the torque sensor, the micro-signal processing and the wireless signal transmission technology. Specially designed for the static torque measurement and equipped with the Bluetooth. It is an integrated design and high accuracy.

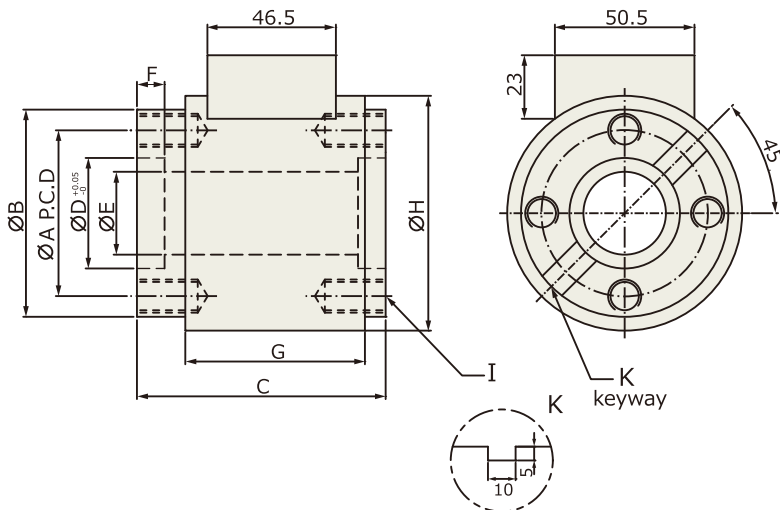


## ■ 特點 Features

- 雙向 Bi-Directional
- 藍芽傳輸 Bluetooth transmission
- 高精度 High accuracy
- TWL- 2, 5, 10, 20, 50, 100, 200, 500, 1k, 2k, 3k, 5k, 10k, 15k, 20k Nm
- 溫度補償 Thermally compensated
- 密封保護 Moisture proof

## ■ Installation Dimensions

Refer to the table for the number of screw holes and keyways



TYPE	A	B	C	D	E	F	G	H	G	K
TWL-2 Nm					X	4				
TWL-5 Nm				20						
TWL-10 Nm	35	50	60		10	9	55	57	(4)M8×1.25 ×14 deep	X
TWL-20 Nm					14					
TWL-50 Nm				X	20	X				
TWL-100 Nm										
TWL-200 Nm										
TWL-500 Nm	60	75	90	40	32	6	65	85	(8)M12×1.75 ×20 deep	(4)10×5
TWL-1 k Nm										
TWL-2 k Nm										
TWL-3 k Nm	90	112	110	X	74	X	77	124	(16)M12×1.75 ×25 deep	(8)10×5
TWL-5 k Nm										
TWL-10 k Nm										
TWL-15 k Nm	90	118	110	X	74	X	77	130	(16)M12×1.75 ×25 deep	(8)10×5
TWL-20 k Nm										

## ■ Specification

解析度 Resolutions	20000 (T0.1-1:5000)
總和誤差 Total Error	±0.3%R.O.
重現性 Repeatability	±0.2%R.O.
潛變 Creep	0.1%/20min
輸入阻抗 Input Resistance	430 or 405 ± 25Ω
輸出阻抗 Output Resistance	350 ± 5Ω
最大輸入電壓 Max. Excitation Voltage	20V
建議輸入電壓 Recommended Excitation Voltage	10V
溫度補償範圍 Compensated Temp. Range	-10°C~50°C
使用範圍 Safe Temp. Range	-20°C~70°C
溫度對零點之影響 Temp. Effect on Zero Balance	0.05%R.O./10°C
溫度對額定輸出之影響 Temp. Effect on Rated Output	0.03%Load/10°C
零點誤差 Zero Balance	±3%R.O.
容許負荷 Safe Overload Rating	150%
電池續航 Battery life	4 hour
藍芽傳輸距離 (無障礙) Bluetooth transmission distance	10m
配合手機系統 With mobile phone system	安卓 Android