

TORQUE SENSOR

本扭力感測器(Torque sensor)係專為扭力量測所設計，中心具對心凸圓，使對心精確，感測結構並以密封方式保護，以達到最高之量測準確度，具以下之特點：

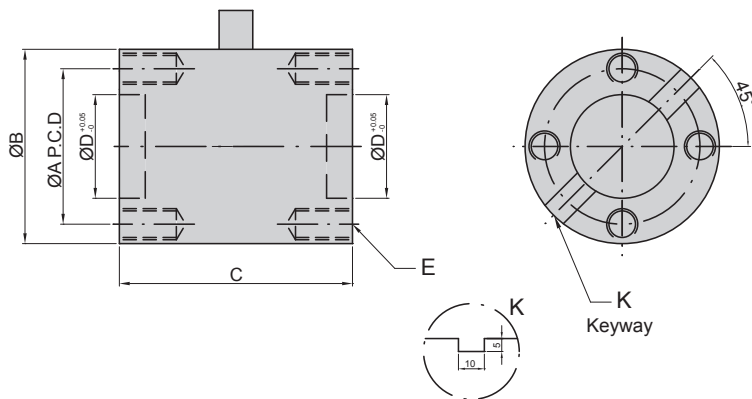
The sensor is a design for measuring static torque, and in the center has symmetrical circle that can let measure more exactly. Moreover, the sensor structure is sealed up for the highest accuracy.

特點 Features

- 雙向 **Bi-Directional**
- 高精度 **High accuracy**
- 溫度補償 **Thermally compensated**
- 密封保護 **Moisture proof**
- **T-0.1, 0.2, 0.5, 1, 2, 5, 10, 20, 50, 100, 200, 350, 500, 1K, 2K, 3K, 5K, 10K, 15K, 20K Nm**



Installation Dimensions



TYPE	A	B	C	D	E	K
T-0.1	25	35	60	14	(8)M4 × 0.7 ×9 deep	X
T-0.2						
T-0.5						
T-1						
T-2	35	50	60	20	(8)M8 × 1.25 ×14 deep	X
T-5						
T-10						
T-20						
T-50						
T-100	60	75	90	40	(8)M12 × 1.75 ×20 deep	(4)10X5
T-200						
T-350						
T-500						
T-1 K						
T-2 K						
T-3 K						
T-5 K						
T-10K	90	118	110	74	(16)M12 × 1.75 ×25 deep	(8)10X5
T-15K						
T-20K						

Specification

額定輸出 Rated Output	2.0mV/V(T-0.1~T-1 1.0mV/V)
總和誤差 Total Error	±0.3%R.O.
重現性 Repeatability	±0.2%R.O.
潛變 Creep	0.1%/20min
輸入阻抗 Input Resistance	430 or 405 ± 25Ω
輸出阻抗 Output Resistance	350 ± 5Ω
最大輸入電壓 Max. Excitation Voltage	20V
建議輸入電壓 Recommended Excitation Voltage	10V
溫度補償範圍 Compensated Temp.Range	-10°C~50°C
使用範圍 Safe Temp. Range	-20°C~70°C
溫度對零點之影響 Temp. Effect on Zero Balance	0.05%R.O./10°C
溫度對額定輸出之影響 Temp. Effect on Rated Output	0.05%Load/10°C
零點誤差 Zero Balance	±3%R.O.
容許負荷 Safe Overload Rating	150%
導線長度 Cable Length	3m
接線方式 Cable Connection	Input:Red(+)Exci : Black(-)Exci Output:Green(+)Sign White(-)Sign