

LRW LOAD CELL

本 LRW 係數位無線式荷重元，結合本公司力量感測器、微型信號處理技術及無線信號傳輸技術而成之高精度一體式荷重元其施力點與固定點在同一軸線上，並採用圓柱型結構，安裝容易且非常穩固，本型荷重元並以外殼保護感應部份，非常精確，堅固耐用。適用於吊秤及各式重量及力量量測上，具有以下之特點：

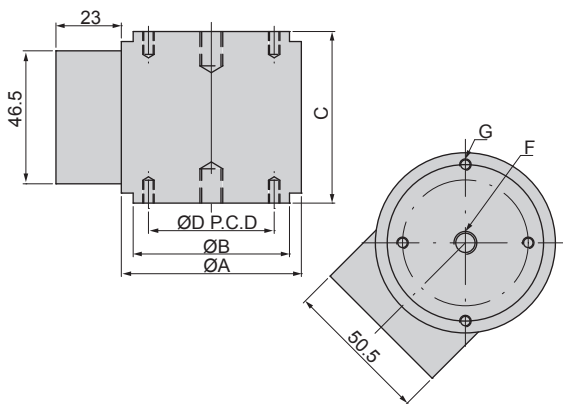
This LRW is a combination of the company's micro signal processing and wireless signal transmission technology. It lets force and support point at the same axis, and it is a spherical construct. The sensing element is protected by an outer shell. So it is very stable, high precision, durable, and easy to install.

特點 Features

- 數位無線傳輸 **Digital Wireless data transmission**
- 拉壓兩用 **Tension and compression**
- 結構穩固 **Stable and rigid**
- 高精度 **Precise**
- 安裝容易 **Easy installation**
- **LRW- 2, 5, 10, 20, 35, 50,100, 200, 350, 500 kgf**
- **LRW- 1, 2, 3, 5, 10 tf**



Installation Dimensions



TYPE	A	B	C	D	F	G
LRW-2						
LRW-5						
LRW-10	64	54.7	60	44	(2)M8×1.25×12 deep	(8)M4×0.7×8 deep
LRW-20						
LRW-35						
LRW-50						
LRW-100						
LRW-200	64	54.7	80	44	(2)M12×1.75×16 deep	(8)M5×0.8×8 deep
LRW-350						
LRW-500						
LRW-1 tf						
LRW-2 tf	83	73	100	50	(2)M16×2.0×20 deep	(8)M10×1.5×15 deep
LRW-3 tf						
LRW-5 tf	88	78	120	55	(2)M20×2.0×25 deep	(8)M12×1.75×18 deep
LRW-10tf	115	105	180	70	(2)M30×2.0×40 deep	(8)M12×1.75×18 deep

Specification

解析度 Resolutions	10000
總和誤差 Total Error	±0.05%R.O.
重現性 Repeatability	±0.03%R.O.
潛變 Creep	0.05%/20min
溫度補償範圍 Compensated Temp.Range	-10°C~50°C
使用範圍 Safe Temp. Range	-20°C~70°C
溫度對零點之影響 Temp. Effect on Zero Balance	0.05%/10°C
溫度對額定輸出之影響 Temp. Effect on Rated Output	0.03%/10°C
零點誤差 Zero Balance	±3%R.O.
容許負荷 Safe Overload Rating	150%
電池續航 Battery life	4-hour
藍芽傳輸距離(無障礙) Bluetooth transmission distance	10m
配合手機系統 With mobile phone system	安卓Android