

# LCH LOAD CELL

LCH荷重元係專為壓入或退出力量量測而設計之荷重元，採用圓柱形直壓式結構。體積小，剛性強，結構穩固，一體成形設計，簡潔美觀，堅固耐用。非常適合用於壓入式力量量測，具有以下特點：

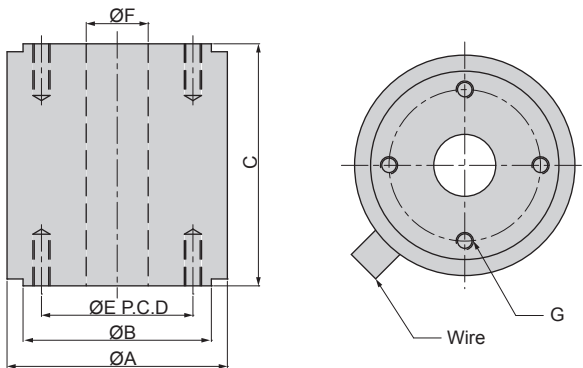
LCH Load Cell is a special design for press-in or press-out force measurement. Consisted of spherical construction, so it is small and rigid. In addition, contained one-part simple design, pretty shape, strong and durable. Good ideal for using in compressed force control.



## 特點 Features

- 純壓式 **Only compression**
- 體積小 **Small size**
- 高剛性 **Rigid**
- 安裝容易 **Easy installation**
- **LCH- 200, 350, 500 kgf**  
**LCH- 1, 2, 3, 5, 10, 20, 30, 50 tf**

## Installation Dimensions



TYPE	A	B	C	E	F	G
LCH-200	43	35	50	24	10	(8)M4×0.7×8 deep
LCH-350						
LCH-500						
LCH-1 tf	63	54.7	70	44	18	(8)M5×0.8×8 deep
LCH-2 tf						
LCH-3 tf						
LCH-5 tf						
LCH-10tf	63	54.7	80	44	18	(8)M5×0.8×8 deep
LCH-20tf	88	78	100	50	20	(8)M8×1.25×12 deep
LCH-30tf	100	88	120	70	20	(8)M8×1.25×15 deep
LCH-50tf	134	118	150	90	30	(8)M10×1.5×18 deep

## Specification

額定輸出 Rated Output	1mV/V
總和誤差 Total Error	+/-0.5%R.O.
重現性 Repeatability	+/-0.2%R.O.
潛變 Creep	0.05%/20min
輸入阻抗 Input Resistance	800 ± 50Ω
輸出阻抗 Output Resistance	700 ± 10Ω
最大輸入電壓 Max. Excitation Voltage	20V
建議輸入電壓 Recommended Excitation Voltage	10V
溫度補償範圍 Compensated Temp.Range	-10°C~50°C
使用範圍 Safe Temp. Range	-20°C~70°C
溫度對零點之影響 Temp. Effect on Zero Balance	0.05%R.O./10°C
溫度對額定輸出之影響 Temp. Effect on Rated Output	0.03%Load/10°C
零點誤差 Zero Balance	±3%R.O.
容許負荷 Safe Overload Rating	150%
導線長度 Cable Length	3m
接線方式 Cable Connection	Input:Red(+)/Exci : Black(-)/Exci Output:Green(+)/Sign White(-)/Sign