

# 交流功率因數轉換器 ( AC POWER FACTOR(COS $\theta$ ) TRANSDUCER )

MODEL  
PPF



## ■特點(FEATURES)

- 精確度0.25%滿刻度 $\pm 0.25^\circ$ (Accuracy 0.25%F.S, $\pm 0.25^\circ$ )
- 多種輸入,輸出選擇(Wide selection of input/output range)
- 輸入與輸出絕緣耐壓2仟伏特/1分鐘(Dielectric strength 2KVac/1min. (input/output/power))
- 沖擊電壓測試5仟伏特(1.2x50us)(Impuse test 5KV(1.2x50us)(IEC255-4,ANSI C37.90a/1974)
- 突波電壓測試2.5仟伏特(0.25ms/1MHz)(Surge test (ring wave)2.5KV(0.25ms/1MHz)(IEC255-4)
- 尺寸小,穩定性高(Dimension small and High stability)

1.MODEL: PPF  -    -   Dn  
(選購型號)

NO	Input Unit	NO	VoitageRange	NO	Current Range	NO	Frequency	NO	Output Range	NO	Output Range	NO	Aux.Power
1	1 $\phi$ 2W	1	0~120V	1	0~1A	A	50Hz	A	DC0~50mV	F	DC0~1mA	A	AC110/220V
3	3 $\phi$ 3W	2	0~240V	2	0~5A	B	60Hz	B	DC0~1V	G	DC0~10mA	B	AC/DC20~60V
4	3 $\phi$ 4W	3	0~400V	9	SPECIFIED	C	400Hz	C	DC1~5V (uni.)	H	DC0~20mA	C	AC/DC90~260V
9	SPECIFIED	9	SPECIFIED			O	SPECIFIED	D	DC0~10V	I	DC4~20mA (uni.)		•Less 4VA for AC/DC input
			•Voltage $\pm 30\%$				•Frequency $\pm 10\%$	E	DC2~10V (uni.)	R	SPECIFIED		

Note: 1.uni.=uni-direction=0 to +span

•Calibration:Dn

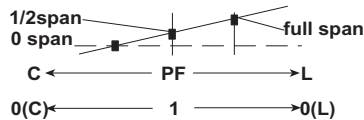
•Unipolar output (as 0~10V,4~20mA,0~10mA)

•D1:0.5(C) to 1 to 0.5(L) vs

0 to 1/2 span to full span output

•D2:0(C) to 1 to 0(L) vs

0 to 1/2 span to full span output



Note: 2.bi=bi-direction=-span to 0 to +span referring calibration

•Calibration:Dn

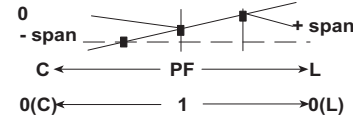
•Bipolar output (as  $\pm 1$ mA, $\pm 10$ mA, $\pm 10$ V)

•D3:0.5(C) to 1 to 0.5(L) vs

-span to 0 to +span output

•D4:0(C) to 1 to 0(L) vs

-span to 0 to +span output



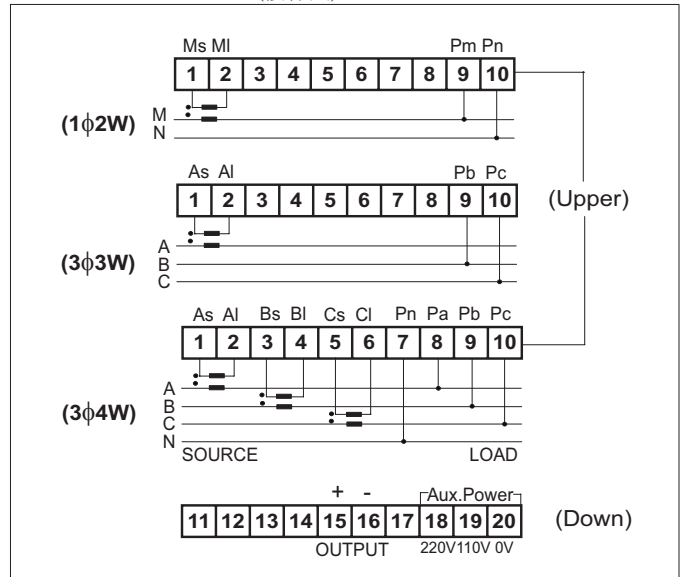
Note:(C):capacitive load

(L):inductive load

## 2.SPECIFICATION (主要規格)

- Measuring accuracy : 0.25% F.S. $\pm 0.25^\circ(23\pm 5^\circ\text{C})$   
(精確度)
- Input burden : <0.2VA (Voltage)  
(輸入負載) <0.2VA (Current)
- Maximum input over : Current related input: 3 x rated continuous  
(最大過載能力) 10 x rated 30 sec. 25 x rated 3sec.  
Voltage related input: maximum 2 x rated continuous
- Response time : < 250ms(0~90%)  
(輸出反應速度)
- Output drive capability : < 10mA for voltage mode  
(輸出負載能力) < 10V for current mode
- Output ripple (p-p) : < 0.1% F.S.  
(輸出之漣波)
- Zero (offset) range : 0~ $\pm 5\%$  F.S.  
(歸零調整範圍)
- Span (scale) range : 0~ $\pm 10\%$  F.S.  
(最大值調整範圍)
- Temp. coefficient : 100ppm/ $^\circ\text{C}$  (0~50 $^\circ\text{C}$ )  
(溫度係數)
- Isolation : Input/Output/Power/Case  
(隔離特性)
- Dielectric strength : 2KVac/1 min. (input/output/power/case)  
(絕緣耐壓能力)
- Impulse test : ANSI C37.90a/1974,DIN-IEC 255-4  
(衝擊電壓測試) impulse voltage 5KV (1.2 x 50us)
- Surge test(ring wave) : 2.5KV-0.25ms/1MHz(IEC255-4)  
(突波電壓測試)
- Operating condition : -20~60 $^\circ\text{C}$  (20 to 90% RH non-condensed)  
(使用環境條件)
- Storage condition : -30~70 $^\circ\text{C}$  (20 to 90% RH non-condensed)  
(存放環境條件)
- CE EMC Certification : EN 55022:1998/A1:2000 Class A  
(CE認證) EN 61000-3-2:2000  
EN 61000-3-3:1995/A1:2001  
EN 55024:1998/A1:2001

## 3.Terminal Connection (接線圖)



## 4.Dimension(unit:mm)(外型尺寸)

