

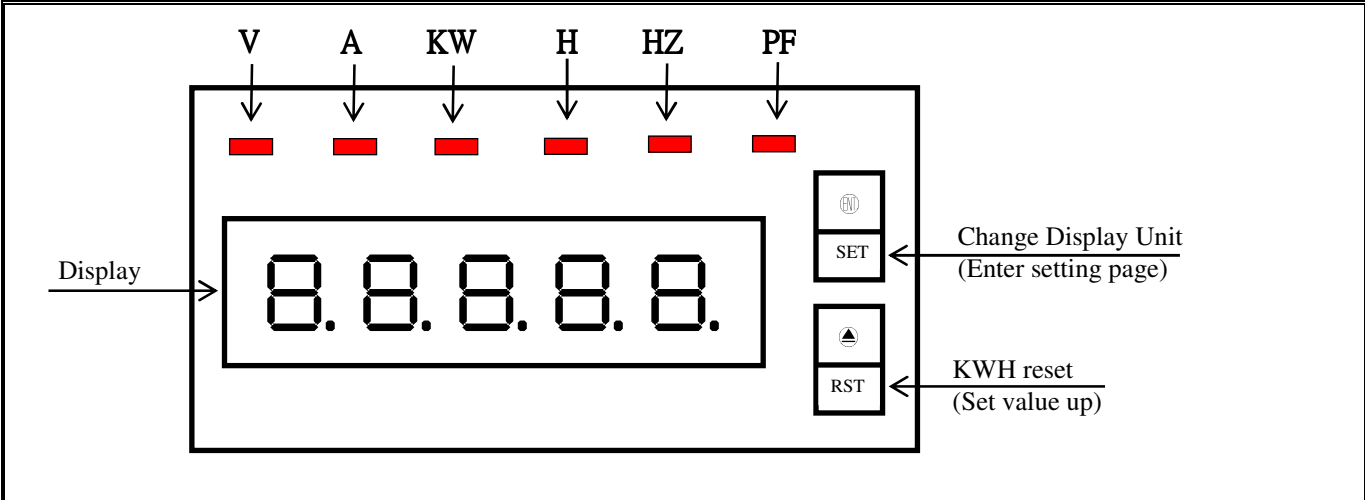
# AXE SIX-FUNCTION AC POWER METER

MMS-P

■ Features

- ⊙ Accuracy 0.1% F.S.
- ⊙ Measuring and display ACV/ACA/KW/Power factor/Frequency/KWH
- ⊙ VOLTAGE, CURRENT, WATT are TRMS
- ⊙ Surge test 4KV(1.2x50us)
- ⊙ Dimension small (24x48x48.5mm) and High stability
- ⊙ Discrete terminal, connector easy

■ Name Of Parts



Key Introduce	Operation Manual
SET/⊞ Key Function	1. In normal display, The key function is change display unit, if press key 5sec will call out setting page 2. In parameter setting page, The key function is data Enter , and go to next page
RST/▲ Key Function	1. In normal display, Press key 5sec will reset KWH value(Only display unit in KWH page) 2. Into parameter setting page, the parameter mark&data is alternate display, If need modify data can press up key into setting procedure, The display is lock parameter data, this time must let off key about 0.2 sec, press again, the parameter data will increment.
No key in anything	In setting group or setting page no key in anything about 2 minutes, return normal display, but if in setting page the modify data will be lost

Step	Parameter Mark Description	Parameter Mark	Operation Manual												
1	Normal display	1 2 3 4 5	Press ⊞ key 5sec, Into display unit auto change setting page												
1-1	Display unit auto change AUTO Default = NO	<table border="1" style="width: 100%; text-align: center;"> <tr><td>0</td><td>1</td><td>2</td><td>3</td><td>4</td><td>5</td></tr> <tr><td>6</td><td>7</td><td>8</td><td>9</td><td>0</td><td>0</td></tr> </table>	0	1	2	3	4	5	6	7	8	9	0	0	1. Decide display unit auto change with ▲ key (NO or YES) 2. Press ⊞ key enter data and into CT ratio setting page Note: When YES, Display unit will auto change every 5sec
0	1	2	3	4	5										
6	7	8	9	0	0										
1-2	CT ratio CT Default = 1	<table border="1" style="width: 100%; text-align: center;"> <tr><td>0</td><td>1</td><td>2</td><td>3</td><td>4</td><td>5</td></tr> <tr><td>6</td><td>7</td><td>8</td><td>9</td><td>0</td><td>0</td></tr> </table>	0	1	2	3	4	5	6	7	8	9	0	0	1. Decide CT ratio whit ▲ key (0.2/1/5/10)(1A/5A/25A/50A) 2. Press ⊞ key enter data and into Panel Lock CT ratio is wrong, Current/KW/KWH will wrong
0	1	2	3	4	5										
6	7	8	9	0	0										
1-3	Panel Lock LOCK Default = NO	<table border="1" style="width: 100%; text-align: center;"> <tr><td>0</td><td>1</td><td>2</td><td>3</td><td>4</td><td>5</td></tr> <tr><td>6</td><td>7</td><td>8</td><td>9</td><td>0</td><td>0</td></tr> </table>	0	1	2	3	4	5	6	7	8	9	0	0	1. Decide panel lock with ▲ key (NO or YES) 2. Press ⊞ key enter data and return normal display Note: When YES, Parameter value can not modify
0	1	2	3	4	5										
6	7	8	9	0	0										
Appendix	Error Mark Description	Error Mark	Analyze & Description												
1	Current input phase error detect	1 - E - 00	Current input phase error detect, check current wire												
2	Input over error detect	0 0 E 0	Voltage or Current input over range												
3	EEPROM error detect	<table border="1" style="width: 100%; text-align: center;"> <tr><td>E</td><td>-</td><td>0</td><td>0</td></tr> <tr><td>0</td><td>0</td><td>0</td><td>0</td></tr> <tr><td>4</td><td>E</td><td>5</td><td>5</td></tr> </table>	E	-	0	0	0	0	0	0	4	E	5	5	1. External interference when EEPROM read/write 2. EEPROM write over 100 million times(guarantee 10 years) Please power reset, if still display E-00, doing following step: 1. E-00 & No alternate display for inquire reset EEPROM 2. Decide Yes with ▲ or ▼ key, press ⊞ key return normal display EEPROM was reset, Please follow step 1~ set again
E	-	0	0												
0	0	0	0												
4	E	5	5												