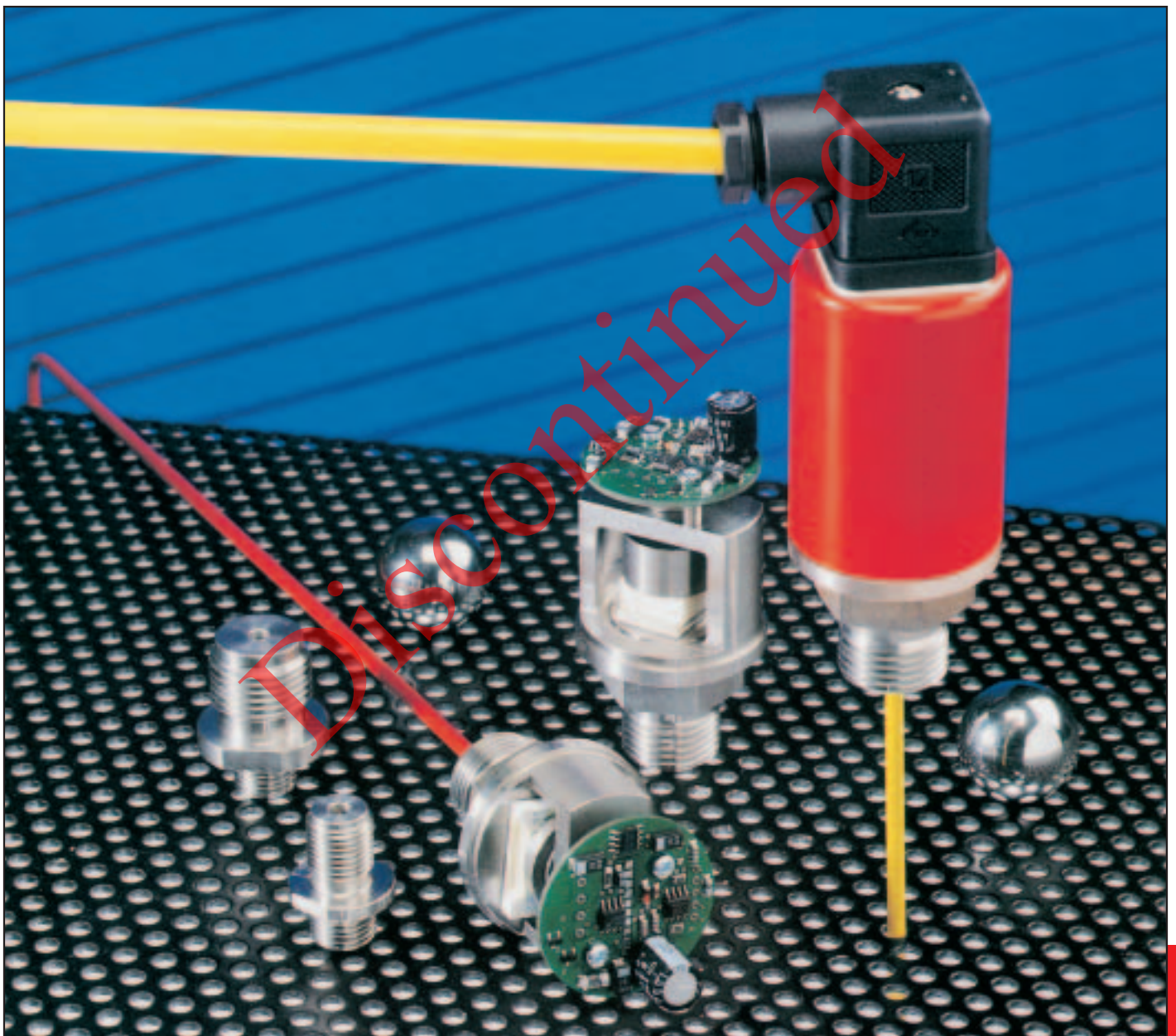


691

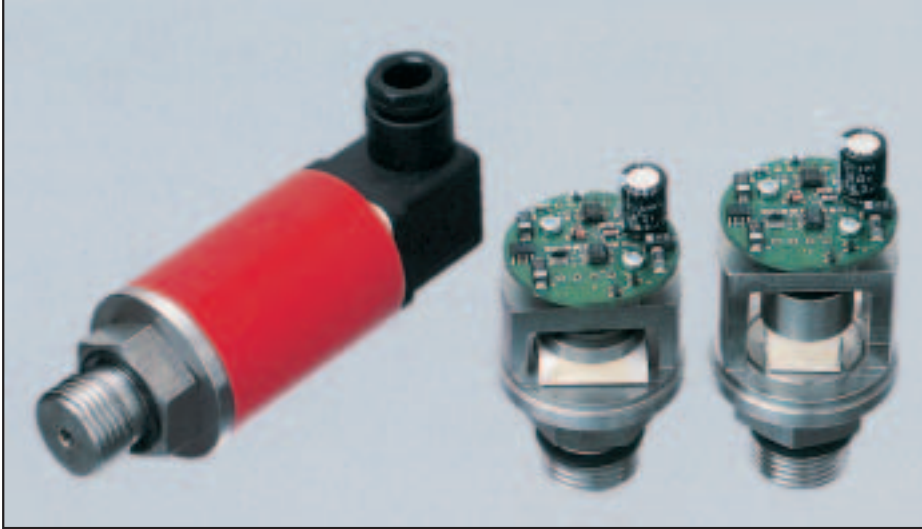
Pressure transmitter
Relative -1 to 600 bar
Absolute 0 to 16 bar



HUBA-REGISTERED TRADE MARK

 **Huba Control**

FOR FINE PRESSURE AND FLOW MEASUREMENT



Dynamic response

Suitable for static and dynamic measurements.
Response time < 5 ms

Pressure connections

Inside thread G 1/4
Outside thread G 1/8, G 1/4, G 1/2
Connection fitting sealed at front or at back (option).
7/16-20 UNF / 1/4-18 NPT / 1/2-14 NPT
See order code selection table.

Weight

Inside thread:
G 1/4 200 grams
Outside thread:
G 1/8 / 7/16-20 UNF 212 grams
G 1/4 / 1/4-18 NPT 245 grams
G 1/2 / 1/2-14 NPT 280 grams

Technical overview

The pressure transmitter of type series 691 with new, unique ceramic technology, features calibrated and amplified sensor signals which are available as standardized voltage or current outputs.

Various application-specific pressure and electrical connections can be provided.

Legend to cross-section drawing

- 1 Connection fitting
- 2 Seals
- 3 Ceramic element
- 4 Cover

Pressure ranges

Relative pressure
(Measurement of differential pressure to the ambient pressure).
Absolute pressure.

Overload

2x measuring range (fs)

Rupture pressure

3x measuring range (fs)

Accuracy

Total of linearity, hysteresis and repeatability < +/- 0.3 % fs.
Zero point residual voltage < 50 mV.
Zero point residual current < 150 µA at version 0 – 20 mA.

Materials of housing in contact with the medium

Ceramic/Inox 1.4305
(Ceramic PVDF on request)

Sealing material:
optionally Viton, EPDM, NBR, silicone according to order code selection table.

Temperature influences

Medium and ambient temperature -15 °C to +80 °C
Medium and ambient temperature -40 °C only with CR seal and on request.
TC zero point < +/- 0.03 % fs/K
TC sensitivity < +/- 0.015 % fs/K typically

Load cycle

< 50 Hz

Installation arrangement

Unrestricted.

Signal Power supply

0 – 10 V	18 – 33 VDC 24 VAC +/- 15 % 3-wire cable
0 – 20 mA	18 – 33 VDC 24 VAC +/- 15 % 3-wire cable
4 – 20 mA	11 – 33 VDC 2-wire cable
0 – 5 Volt	11 – 33 VDC 24 VAC +/- 15 % 3-wire cable

Short circuit proof and protected against polarity reversal. Each connection against other with max. +/- supply voltage.
Frequency output on request.
Switching output, see type 615.

Electromagnetic compatibility: CE conformity to EC directive 89/336 EEC (EMC) by application of harmonized standards EN 50081-1, EN 50081-2 and EN 50082-2.
«Germanischer Lloyd» certification on request.

Load

0 – 10 V	> 10 kOhm
0 – 20 mA	< 300 Ohm
4 – 20 mA	≤ $\frac{\text{supply voltage} - 11 \text{ V}}{0.02 \text{ A}}$ [Ohm]

Current consumption

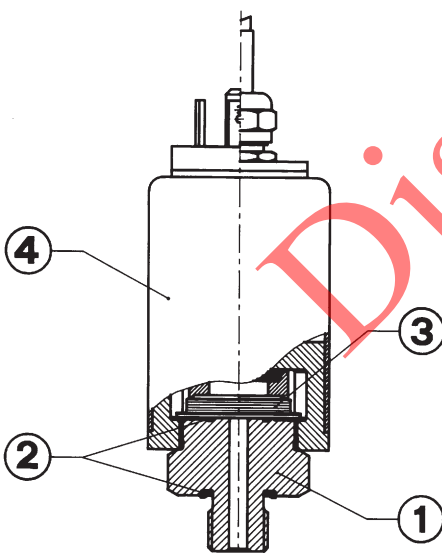
At output signal max.:	
0 – 10 V	< 5 mA
0 – 20 mA	< 25 mA
4 – 20 mA	< 20 mA

Electrical connection / Protection class

Cable 1.5 meters, IP 67 or IP 65.
ØRound plug connector DIN 41524, 3-pole, IP 65.
Connector DIN 43650-A, IP 65.

Calibration by customer

Adjustable versions (zero point/slope approx. +/- 10 %), only with IP 65 versions.



The distinct advantages

- Very low temperature sensitivity
- High resistance to extreme temperatures
- No mechanical aging
- No mechanical creepage
- Individual applications due to modular system



- A – Outside thread G 1/4
- B – Outside thread G 1/2
- C – Inside thread G 1/4
- D – Outside thread G 1/4
- E – Cable connection IP 65
- F – Female connector DIN 43650-A
- G – Round plug connector IP 67
- H – Mounting bracket

Versions

Order code selection table

691

		X	X	X	X	X	X	X	X	X		
Relative pressure		9										
Absolute pressure	*	5										
Pressure ranges¹ (bar)	-1... 0	9	0	0								
	-1... + 0.6	9	0	1								
	-1... + 1	9	0	2								
	-1... + 1.5	9	0	3								
	-1... + 3	9	0	4								
	-1... + 5	9	0	5								
	-1... + 9	9	0	6								
	0... + 0.3 (Absolute Tk0 ± 0.05 % fs/K)	2	6									
	0... + 0.6 (Absolute Tk0 ± 0.05 % fs/K)	1	0									
	0... + 1	1	1									
	0... + 1.6	1	2									
	0... + 2.5	1	4									
	0... + 4	1	5									
	0... + 6	1	7									
	0... + 10	3	0									
	0... + 16	3	1									
	0... + 25	9	3	2								
	0... + 40	9	3	3								
	0... + 60	9	4	0								
	0... + 100	9	4	1								
	0... + 160	9	4	2								
	0... + 250	9	4	3								
	0... + 400 only seal Viton	9	5	4	0							
	0... + 600 only seal Viton (overpressure max. 1 000 bar)	9	5	5	0							
*Full scale signal at these pressures.												
Sealing materials²	FPM Fluoro-elastomer (Viton)				0							
	EPDM Ethylene propylene				1							
	NBR Nitrile butadiene				2							
	MVQ Silicone polymer				3							
Calibration	Factory calibrated					0						
	Factory calibrated with adjustable zero point and slope (only IP 65)					1						
Outputs and power supply	0 – 5 V 11 – 33 VDC/24 VAC +/-15 % 3-wire cable						0					
	0 – 10 V 18 – 33 VDC/24 VAC +/-15 % 3-wire cable						1					
	0 – 20 mA 18 – 33 VDC/24 VAC +/-15 % 3-wire cable						5					
	4 – 20 mA 11 – 33 VDC 2-wire cable						7					
Electrical connections³	Cable, 1.5 meters, Pg 7 (Protection class IP 65)							0				
	Cable, 1.5 meters, Pg 7 (Protection class IP 67)							2				
	Connector DIN 43650-A (Protection class IP 65)							1				
	Round plug connector DIN 41524, 3-pole (Protection class IP 65)							3				
Pressure connections⁴	Inside thread G 1/4 fig. 1								0			
	Outside thread G 1/8 (up to 250 bar) sealed at front fig. 2								1			
	Outside thread G 1/4 sealed at front fig. 2								2			
	Outside thread G 1/2 sealed at front fig. 3								3			
	Outside thread 7/16-20 UNF fig. 4								4			
	Outside thread 1/4-18 NPT fig. 5								5			
	Outside thread 1/2-14 NPT fig. 6								6			
	Outside thread G 1/8 (up to 250 bar) sealed at back fig. 7 (NBR)								7			
	Outside thread G 1/4 sealed at back fig. 7 (NBR)								8			
	Outside thread G 1/2 sealed at back fig. 8 (NBR)								9			
Housing material / Construction (Standard Inox)	Inox with 0.8 mm pressure tip orifice (standard from 100 bar)									3		
	Inox, free of oil and grease (only seal Viton, not compound-filled)									5		
Accessories	Female connector DIN 43650-A with seal (IP 65 when installed and latched)						1	0	3	5	1	0
	Round plug connector (coupling socket) DIN 41524						1	0	3	5	2	4
	Mounting bracket						1	0	4	9	5	4
	Test certificate						1	0	4	5	5	1

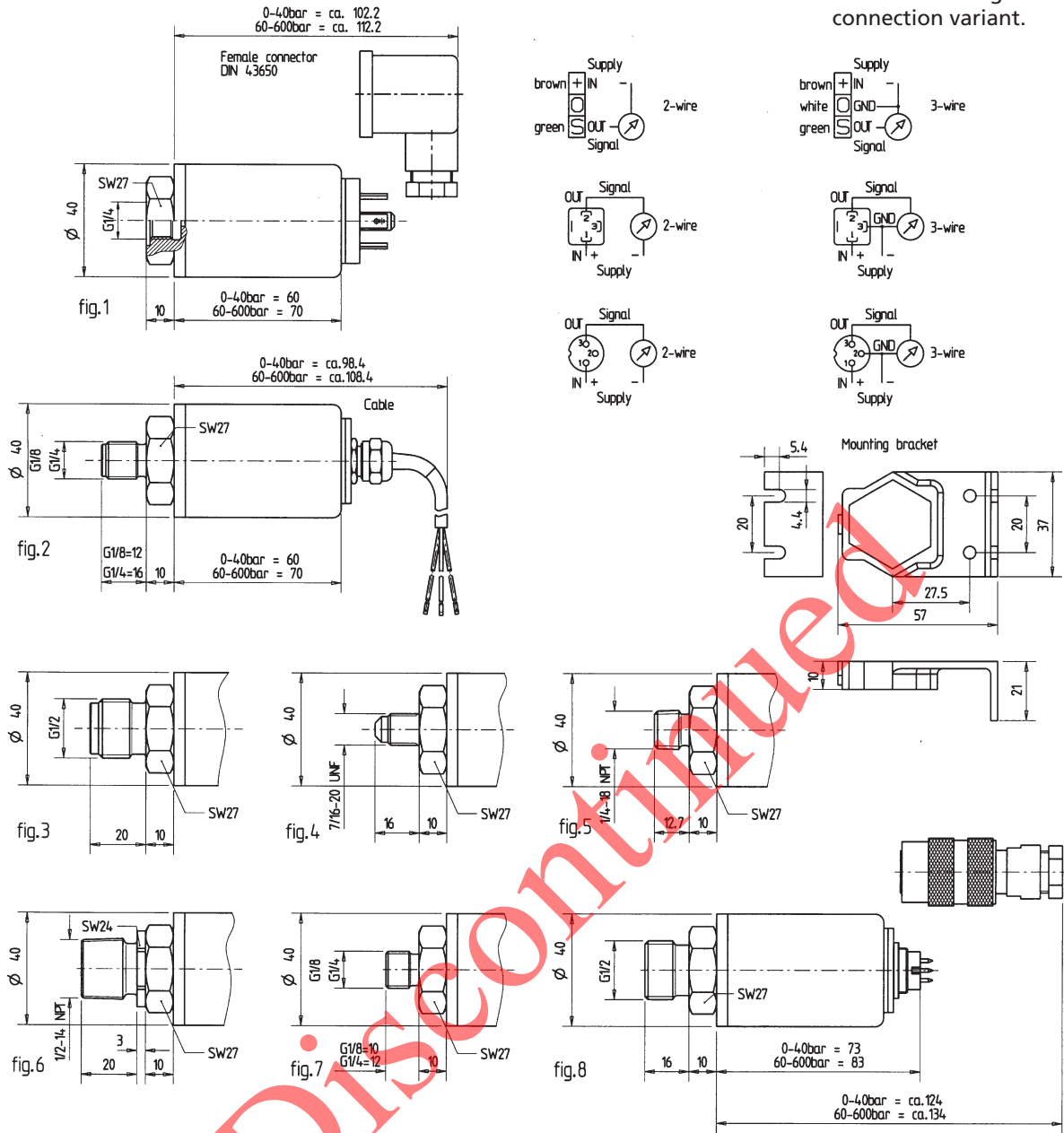
¹ Other pressure ranges on request.

² According to ISO standard R 1629, other sealing materials on request.

³ Without female connector.

⁴ Other pressure connections on request.

The delivery includes a detailed connection diagram for each connection variant.



Electromagnetic compatibility:
CE conformity to EC directive 89/336 EEC (EMC) by application of harmonized standards EN 50081-1, EN 50081-2 and EN 50082-2.

Type of interference/Interference susceptibility	Test standard	Effects
Electrostatic discharge ESD	IEC 1000-4-2 8 kV air discharge / 4 kV contact discharge	No failure (criterion B)
High-frequency electromagnetic radiation (HF)	ENV 50140 10 V/m / 80... 1000 MHz	No effect (criterion A)
Conducted HF interference	ENV 50141 10 V/m / 0.15 ... 80 MHz	No effect (criterion A)
Fast transients (burst)	IEC 801-4 2 kV	No failure (criterion B)
Magnetic fields 50 Hz 30 A/m	EN 61000-4-8	No effect (criterion A)
Type of interference/Emitted interference	Test standard	Effects
Conducted interference	EN 55022 0.15...30 MHz	No effect
Radiation from housing	30...1000 MHz, 10 meters	No effect

Huba Control Switzerland
Headquarters
Industriestrasse 17
CH-5436 Würenlos
Phone ++41 (0) 56 436 82 00
Fax ++41 (0) 56 436 82 82
e-mail: info.ch@hubacontrol.com

Huba Control United Kingdom
Unit 19 A Crawley Mill
Industrial Estate
GB-Witney Oxford OX29 9TJ
Phone 01 993 776 667
Fax 01 993 776 671
e-mail: info.uk@hubacontrol.com

Huba Control France
e-mail: info.fr@hubacontrol.com
Huba Control Germany
e-mail: info.de@hubacontrol.com
Huba Control Netherlands
e-mail: info.nl@hubacontrol.com

Agent for: