

SHAFT TYPE

OVF Model



Heavy Duty 39mm Diameter Encoder

- Most Advanced IP65 Encoder.
- Mating Shaft Diameter Up to 8mm.



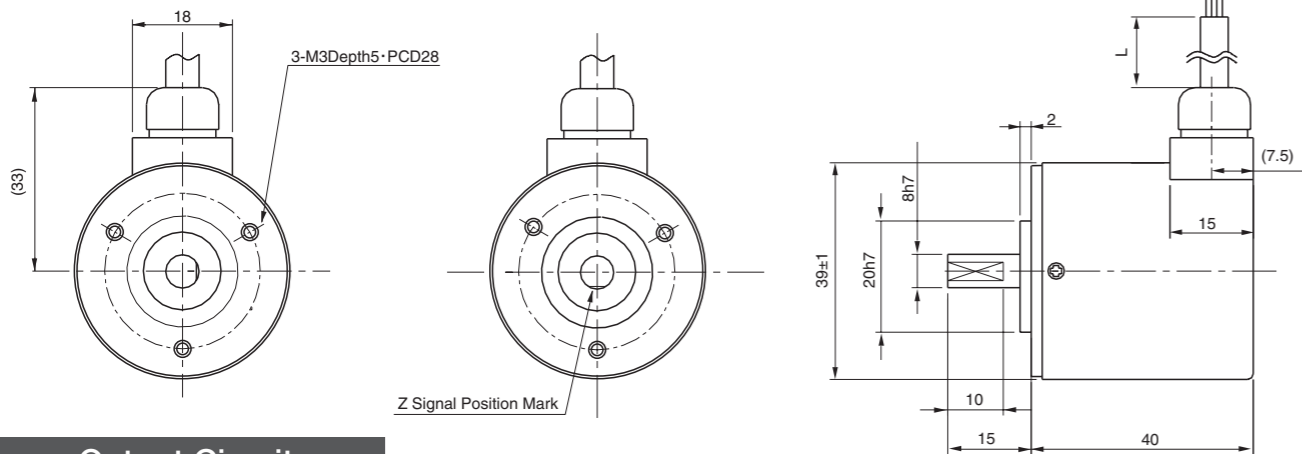
Model

OVF- **-2M** **00E**

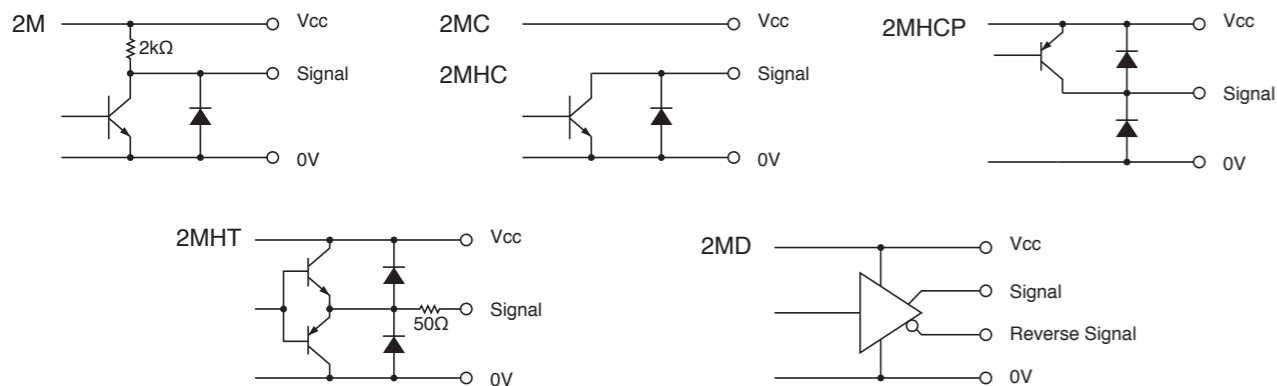
Resolution	
002	20P/R
003	30P/R
0032	32P/R
004	40P/R
005	50P/R
006	60P/R
01	100P/R
0125	125P/R
02	200P/R
025	250P/R
0256	256P/R
03	300P/R
036	360P/R
04	400P/R
05	500P/R
0512	512P/R
06	600P/R
08	800P/R
09	900P/R
10	1000P/R
1024	1024P/R
12	1200P/R
15	1500P/R
18	1800P/R
20	2000P/R
2048	2048P/R
25	2500P/R
36	3600P/R

- Outer diameter shaft**
- 800 : φ8
 - (635 : φ6.35)*
 - (600 : φ6)*
 - (500 : φ5)*
- Cable Length**
- 050 : 500mm (Standard)
 - 100 : 1000mm
 - 300 : 3000mm
- Output Mode**
- No Indication : Voltage Output
 - C : Open Collector Output
 - HC : Open Collector Output / High Voltage
 - HCP : PNP Mode Open Collector Output / High Voltage
 - HT : Push-Pull Output / High Voltage
 - D : Line Driver Output
- Signals** 2M: AB90° Phase Difference + Index Signal
- Low Power Consumption C-MOS Output Available
- Complying with RoHS
- No Indication : Other than D output
 - No Indication : D output with LS
 - C : D output with C-MOS

External Dimension



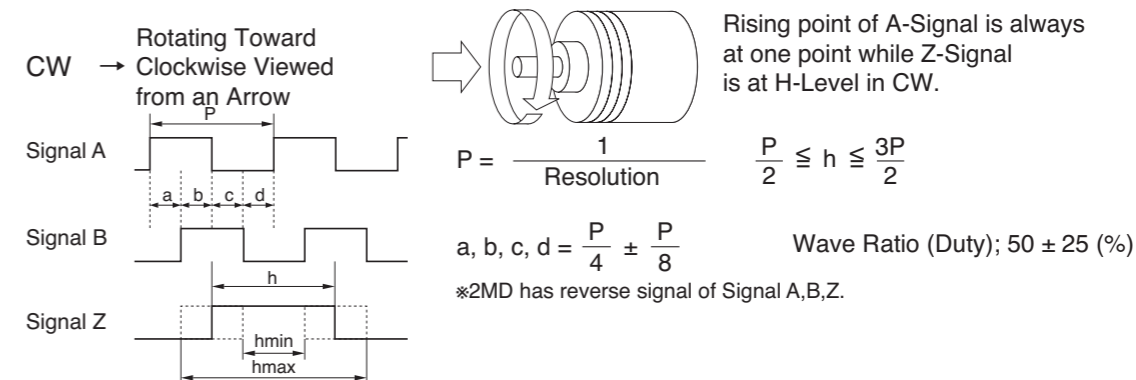
Output Circuit



Electrical Spec

TYPE	*1) at Maximum Sink Current		*2) Maximum Source Current			
	2M	2MC	2MHC	2MHCP	2MHT	2MD
Power Supply(Vcc)	DC4.5~13.2 V		DC10.8~26.4 V			DC4.75~5.25V C-MOS DC4.5~5.5V
Current Consumption	80 mA Max	60 mA Max		100 mA Max	60 mA Max	150 mA Max C-MOS60 mA Max
Output Voltage	"H"	Vcc-1V Min	Vcc-1V Min *2		Vcc-3V Min	2.5 V Min
	"L" *1	0.5 V Max			3 V Max	0.5 V Max
Maximum Sink Current	20 mA			40 mA	20 mA	
Rise & Fall Time	1 μs Max				200 nsMax	
Maximum Frequency Response	200 kHz		50 kHz	200 kHz		
Withstanding Voltage of Output Tr.	50 V Max					

Wave Form



Electrical Connections

Color	Signal	Color	Signal
Red	Power Supply(Vcc)	White	Signal B
Black	0V	Gray	Signal B
Green or Blue	Signal A	Yellow	Signal Z
White	Signal B	Orange	Signal Z
Yellow	Signal Z		
Shield	NC		

Mechanical Spec

Starting Torque	4.9×10 ⁻⁴ N · m Max	
Angular Acceleration	1×10 ⁵ rad/s ²	
Shaft Loading	Thrust	9.8N
	Radial	19.6N
Moment of Inertia	1.2×10 ⁻⁶ kg · m ² Max	
Maximum Permissible Speed	5000min ⁻¹	
Net Weight	140g Max	

Environmental Spec

Operating Temperature	-10°C ~ +70°C
Storage Temperature	-30°C ~ +80°C
Humidity	RH 85% Max No Condensation
Vibration	10~55 Hz / 1.5mm X,Y,Z Each 2h
Shock	294m/s ² ,11ms X, Y, Z Each 3 times
Ingress Protection	IP65